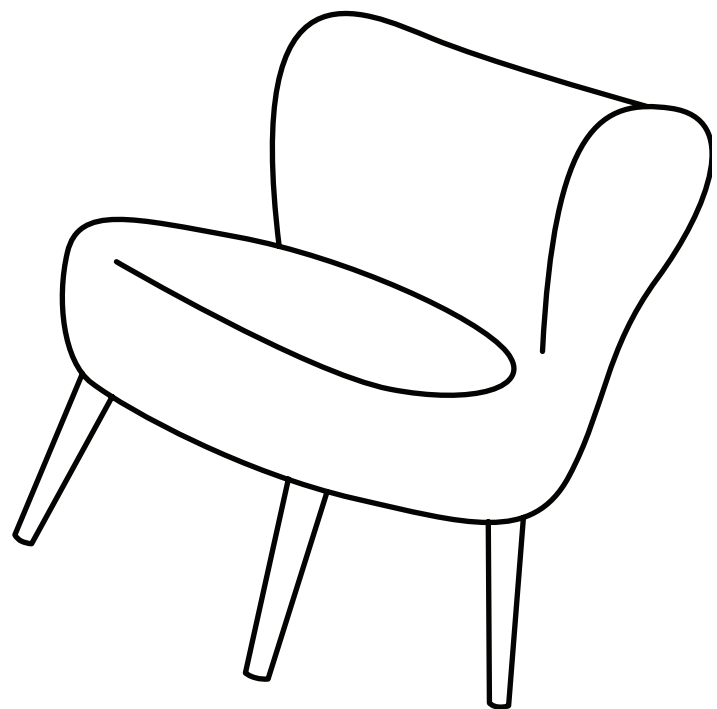
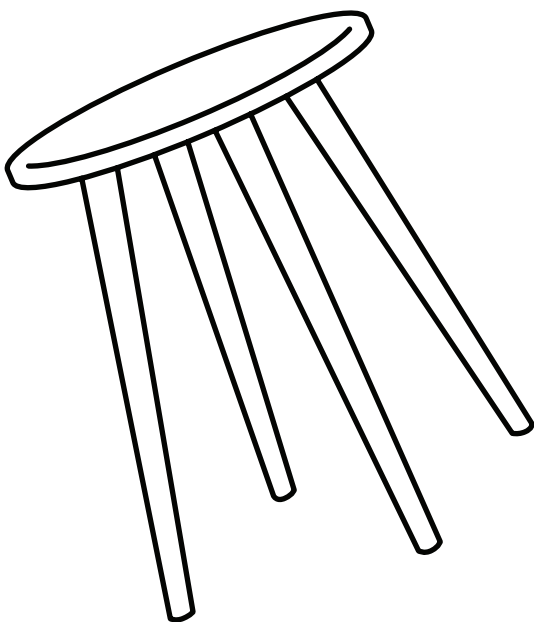


Hello, I've arrived!

Now that I'm here you are only one
flat-pack away from transforming
your home.



Mocka.

Thank you for supporting us.

We believe design belongs to everyone. From materials and processes to safety testing, production and delivery, we are passionate and committed to bringing you the best possible product so you can create beautifully functional spaces to feel comfortably you.

Here are a few assembly tips before you get started:



Make Time

The first step to all seamless assembly is taking a moment to carefully read through the instructions—you are already on your way to creating a beautifully functional space!



Set The Mood

Put on your favourite playlist, order that pizza and pour yourself a drink to get in the mood!



Tool Check

Layout the instructions, screws and panels to check you have everything you need. A blanket or soft floor rug will help protect your new favourite item from scratches and a drill will speed up the assembly too!



Room Reveal

You did it! Take a step back and enjoy the moment. Don't forget to recycle any packaging and share a pic of your room reveal—we love seeing how you transform your home! **Tag us @mockaaustralia/@mockaanz**

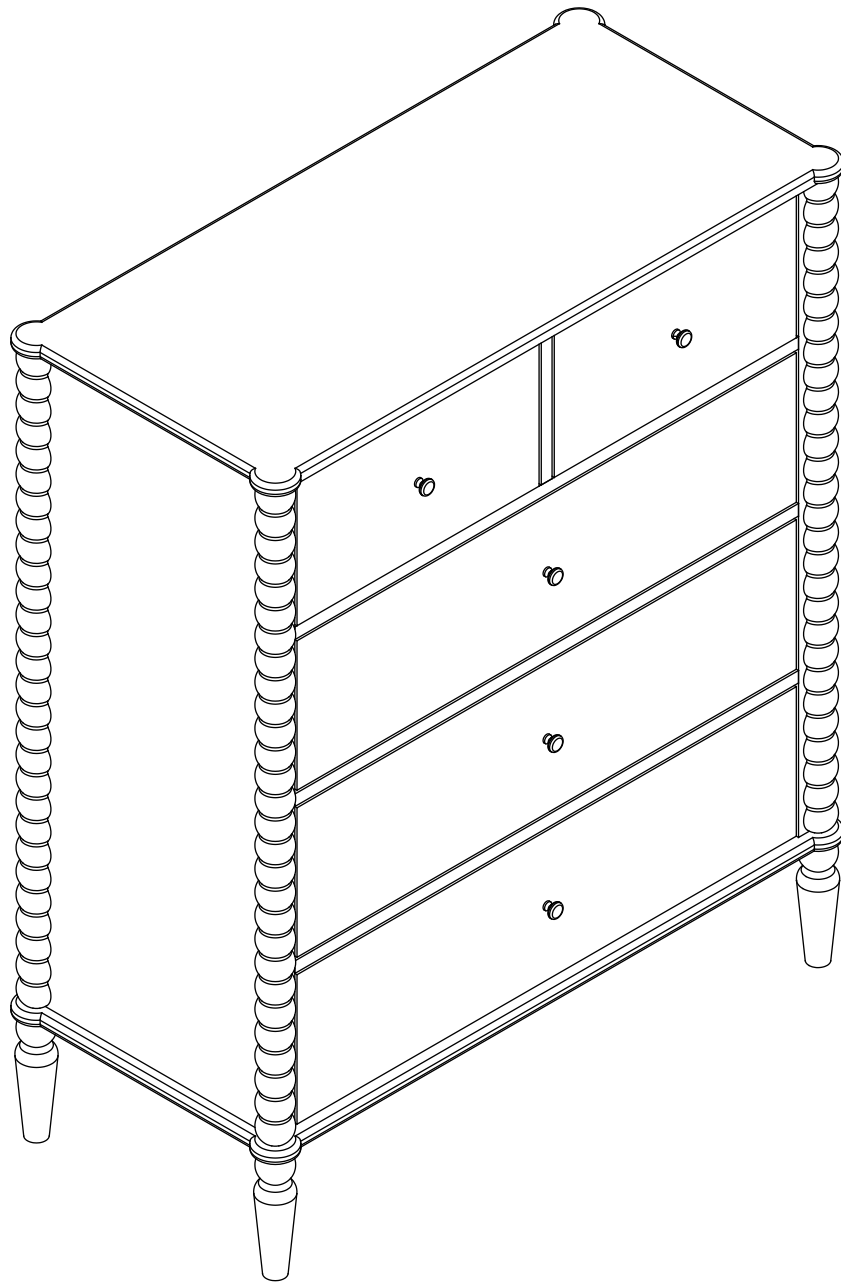
Happy flat-packing!

The Mokka Team

Betti Bobbin

Tallboy

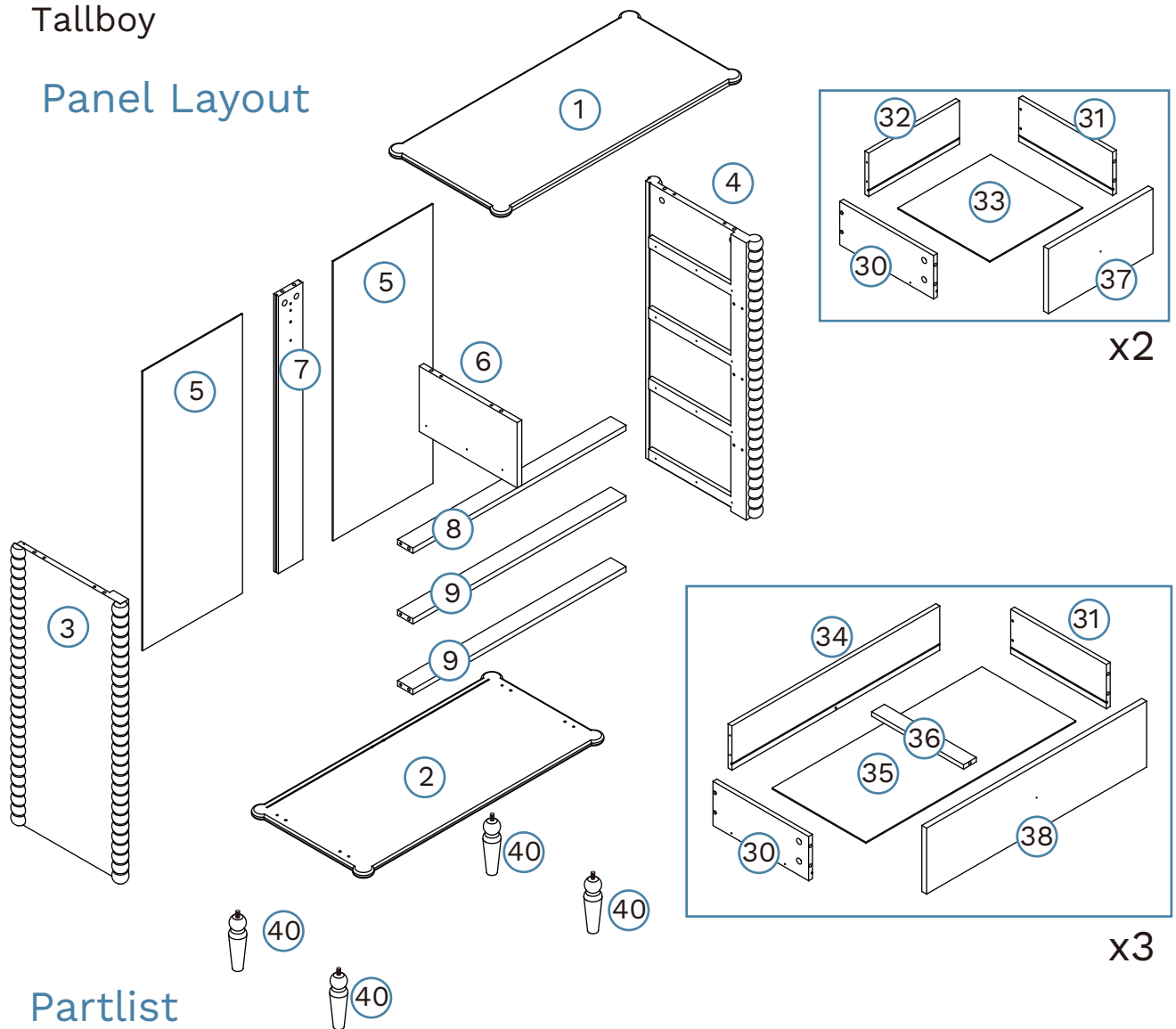
Thank you for your purchase. Please follow the instructions for correct assembly. While we took great effort to ensure these assembly instructions were correct at the time of printing, sometimes updates are required post production. For the most up to date versions please refer to the product page on our website. mocka.com.au/mocka.co.nz



Betti Bobbin

Tallboy

Panel Layout












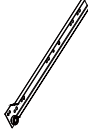





Partlist






①	Top Panel	x1	③①	Right Drawer Side	x5
②	Bottom Panel	x1	③②	Drawer Back	x2
③	Left Side Panel	x1	③③	Drawer Base	x2
④	Right Side Panel	x1	③④	Drawer Back	x3
⑤	Back Panel	x2	③⑤	Drawer Base	x3
⑥	Divider	x1	③⑥	Rail	x3
⑦	Rail	x1	③⑦	Drawer Front	x2
⑧	Rail	x1	③⑧	Drawer Front	x3
⑨	Rail	x2	④①	Leg	x4
③①	Left Drawer Side	x5			

Betti Bobbin

Tallboy

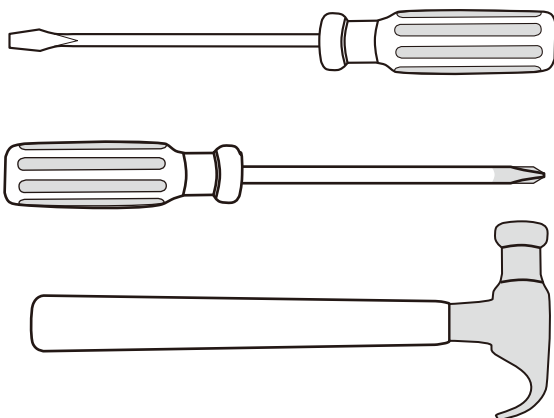
A	B	C	D	E	F	G	H
							
dowel x18	screw x9	bolt x37	locking nut x37	screw x50	screw x5	wedge x8	screw x8
I	J	K	CL	CR	DL	DR	
							
screw x23	handle x5	plastic glide x4	slide rail x5	slide rail x5	slide rail x5	slide rail x5	

HARDWARE SUPPLIED

V	W	X	Y	Z
				
safety strap x1	screw x 1	wall anchor x 1	wall screw x 1	washer x 2

WALL STRAP

WARNING: Any furniture that is not anchored to a wall has the potential to tip over in certain circumstances, i.e. if a child attempts to climb up on the furniture or in the event of an earthquake. Accordingly, we recommend that all furniture is anchored to a wall. We supply a free safety wall anchor with all furniture sold and we recommend these are used to prevent your product tipping. The fixing device provided should fit most wall types, but please note that different wall materials may require different fixing devices from those supplied.

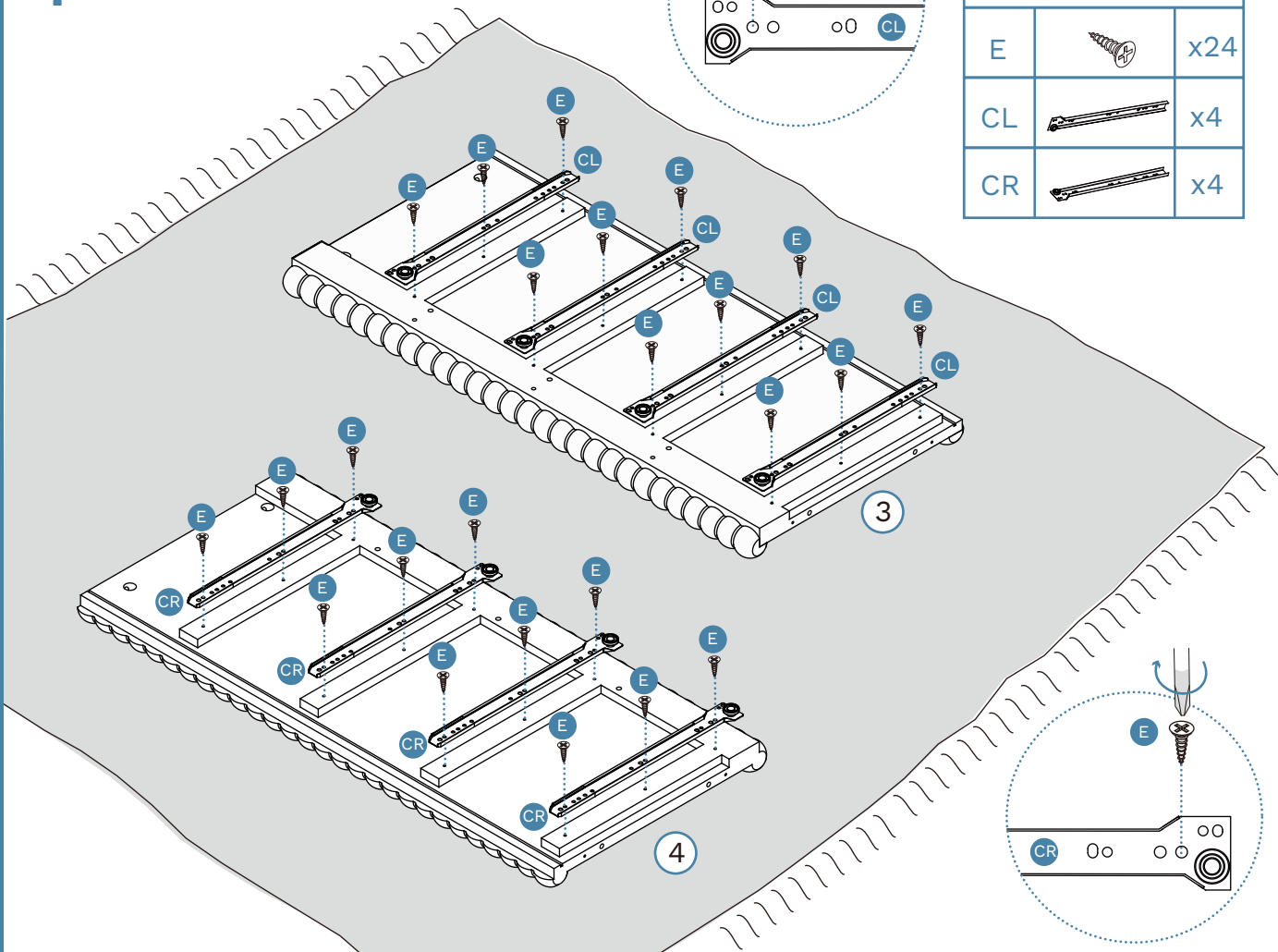





Phillips & Flathead screwdrivers
and hammer required
**For quicker assembly, we recommend the
use of a power drill on a low-speed setting.**

Betti Bobbin

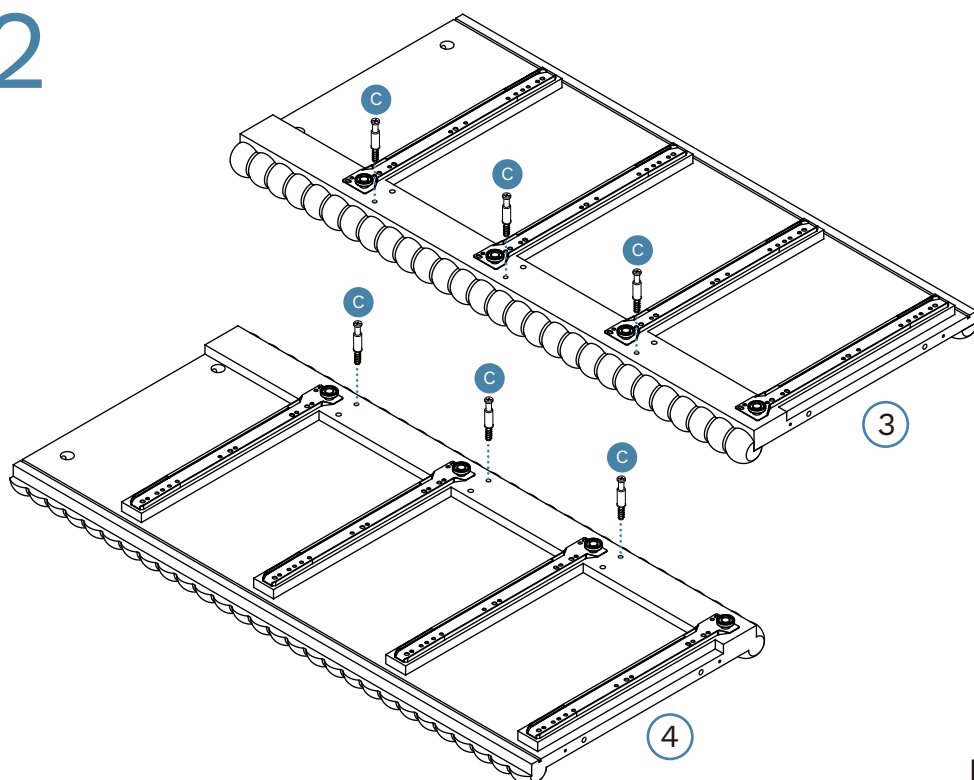
Tallboy


1 *Please assemble it on a rug or other soft surface to avoid marking.



Hardware Needed		
E		x24
CL		x4
CR		x4

2

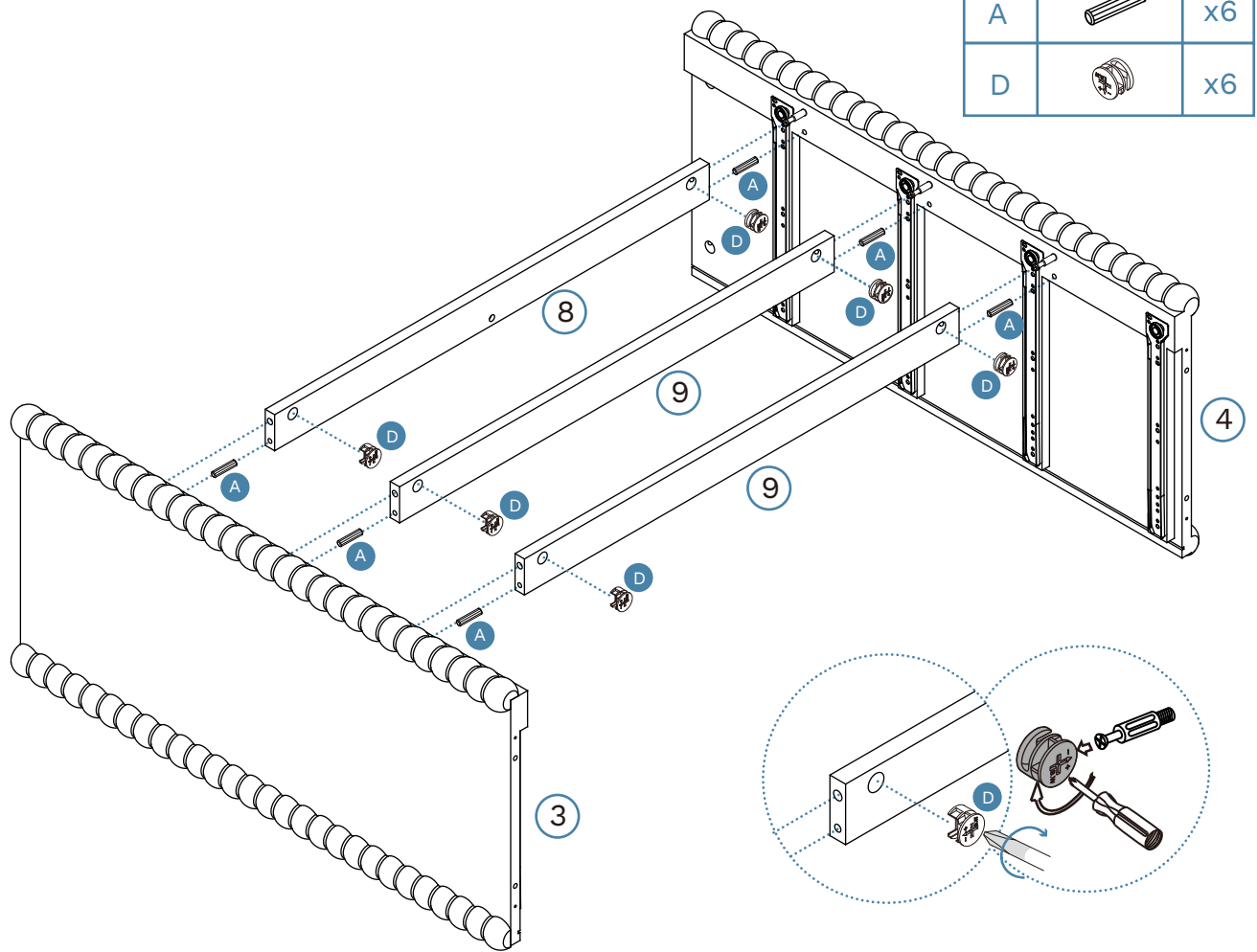


Hardware Needed		
C		x6

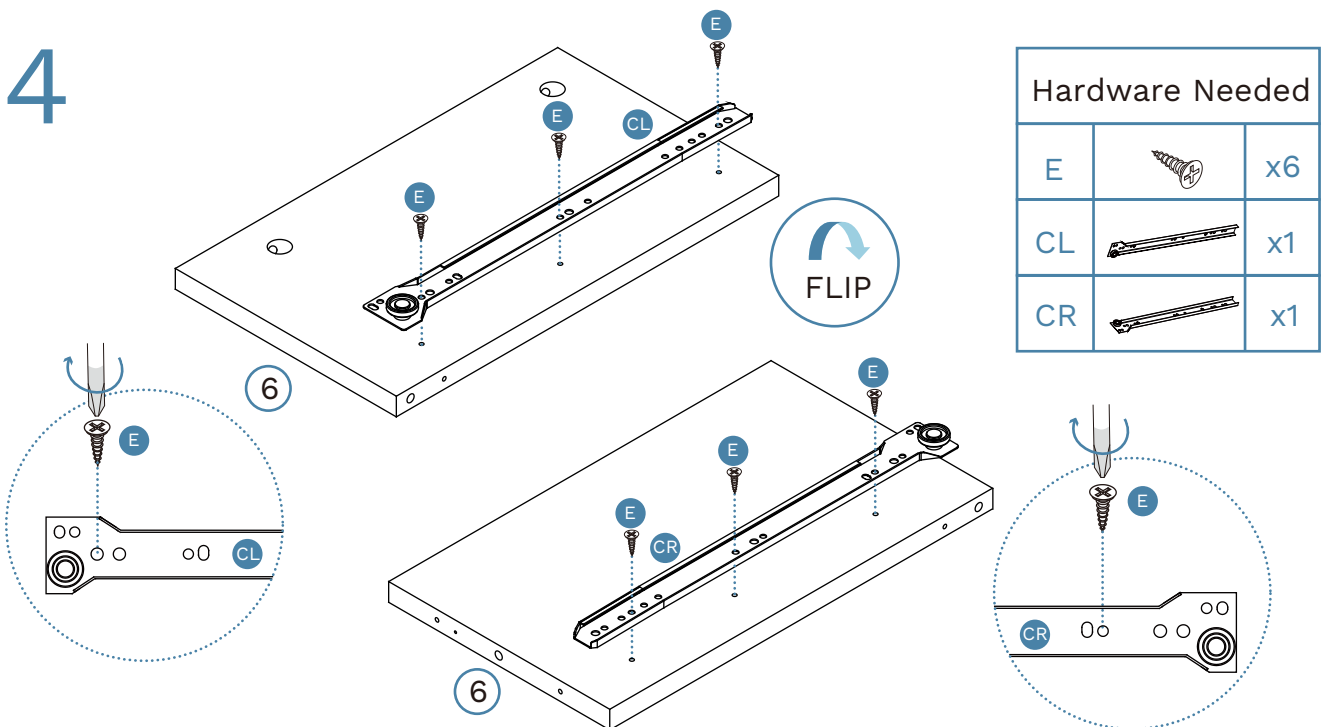
Betti Bobbin

Tallboy

3



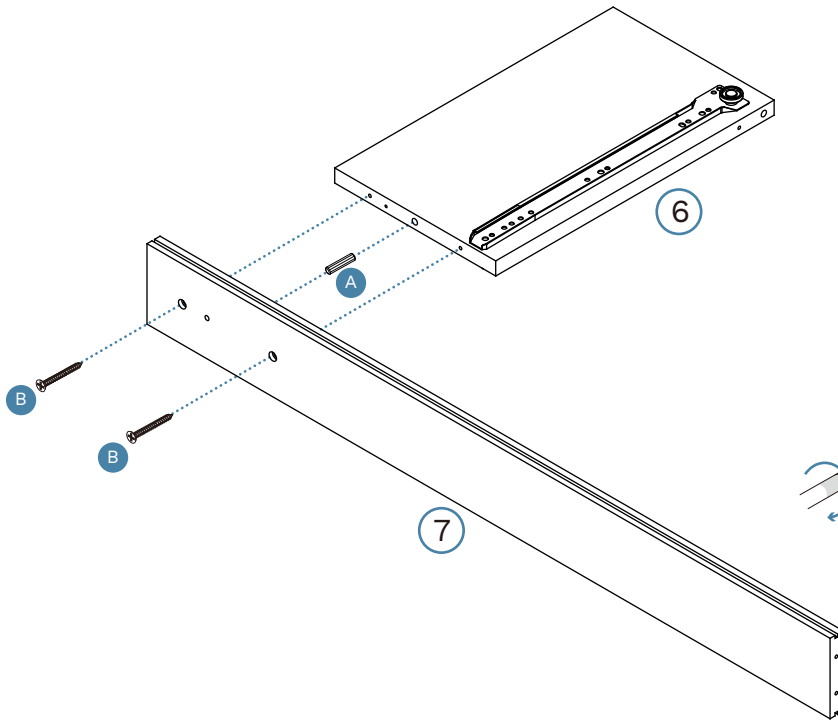
4

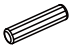



Betti Bobbin

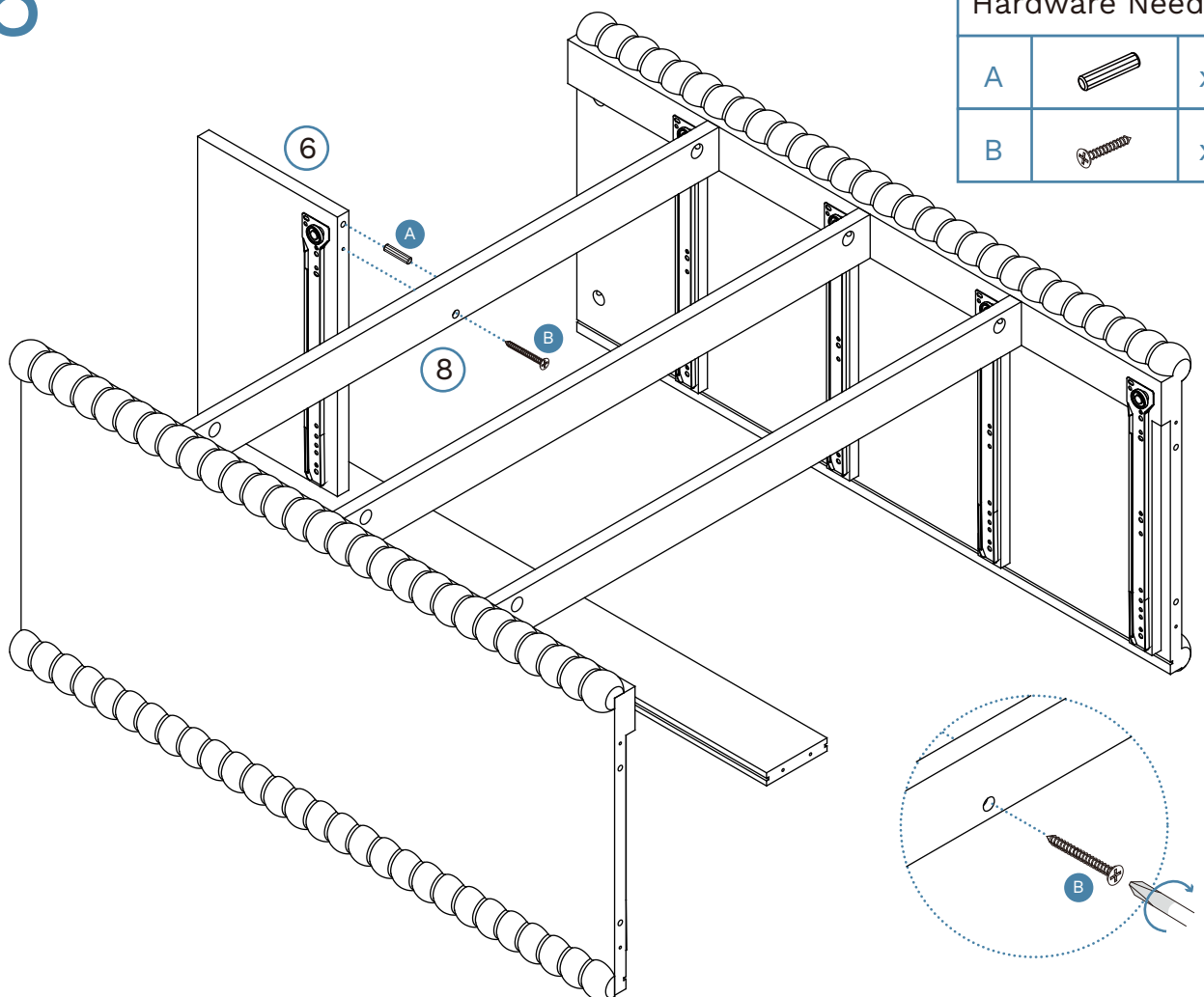
Tallboy

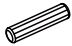

5



Hardware Needed		
A		x1
B		x2

6

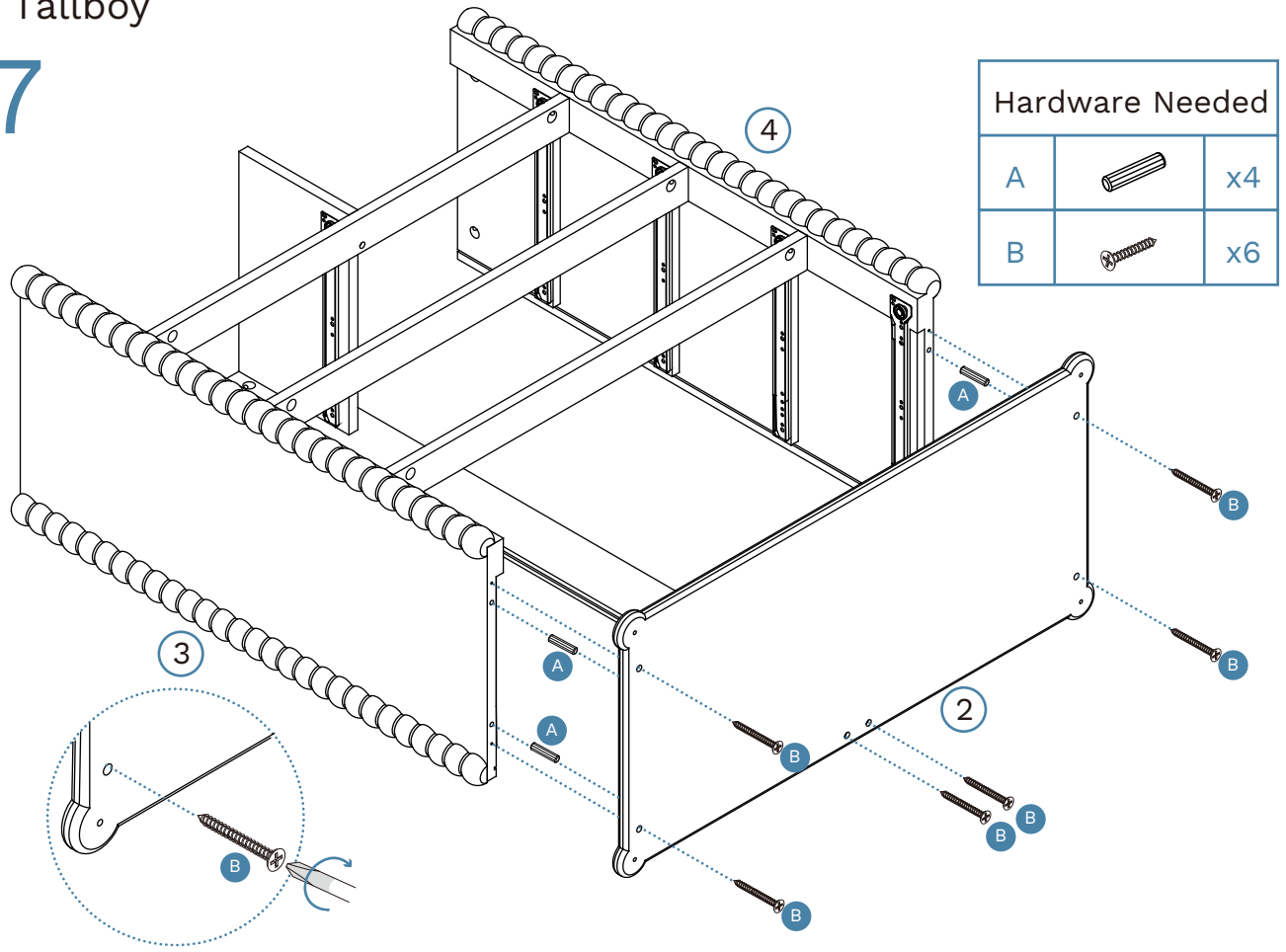


Hardware Needed		
A		x1
B		x1

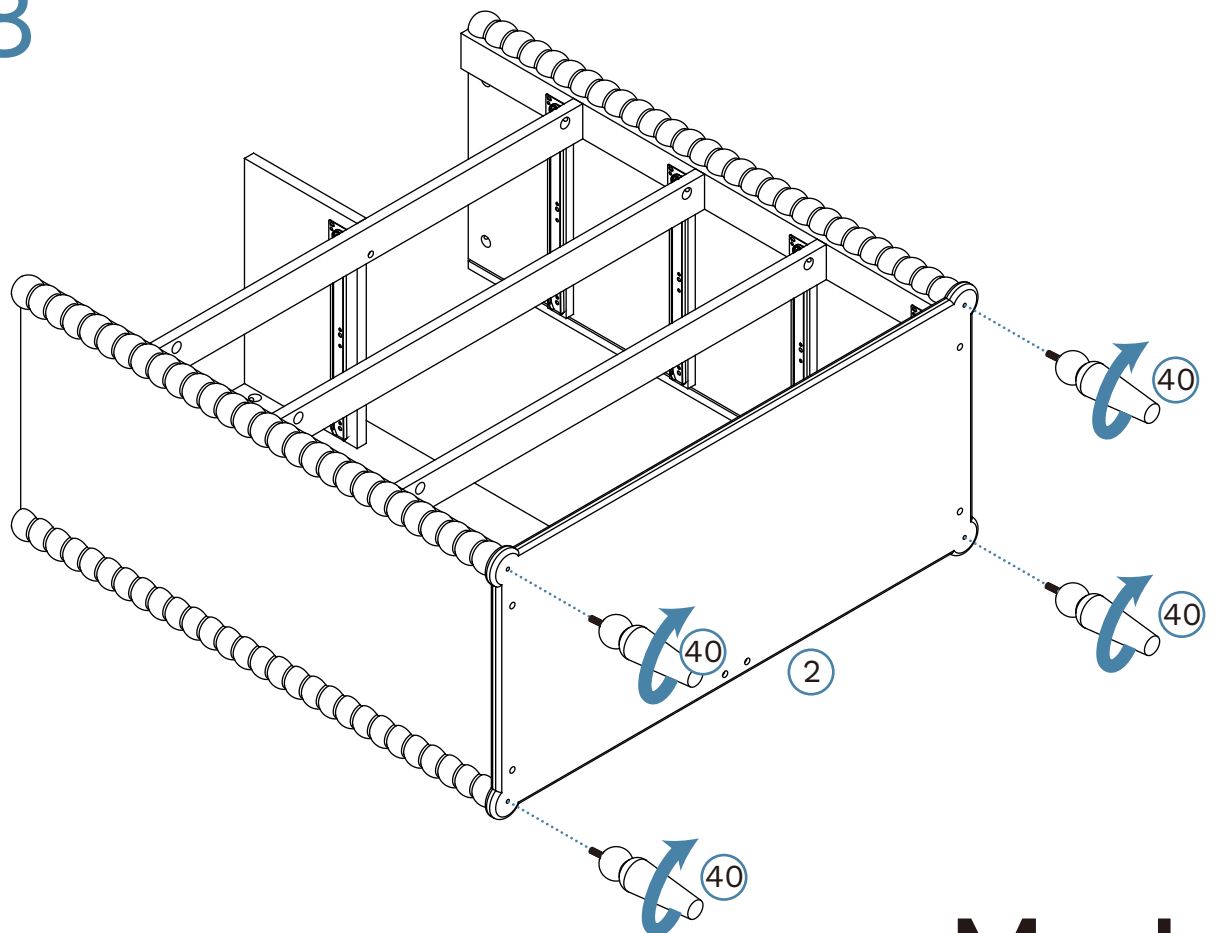
Betti Bobbin

Tallboy

7



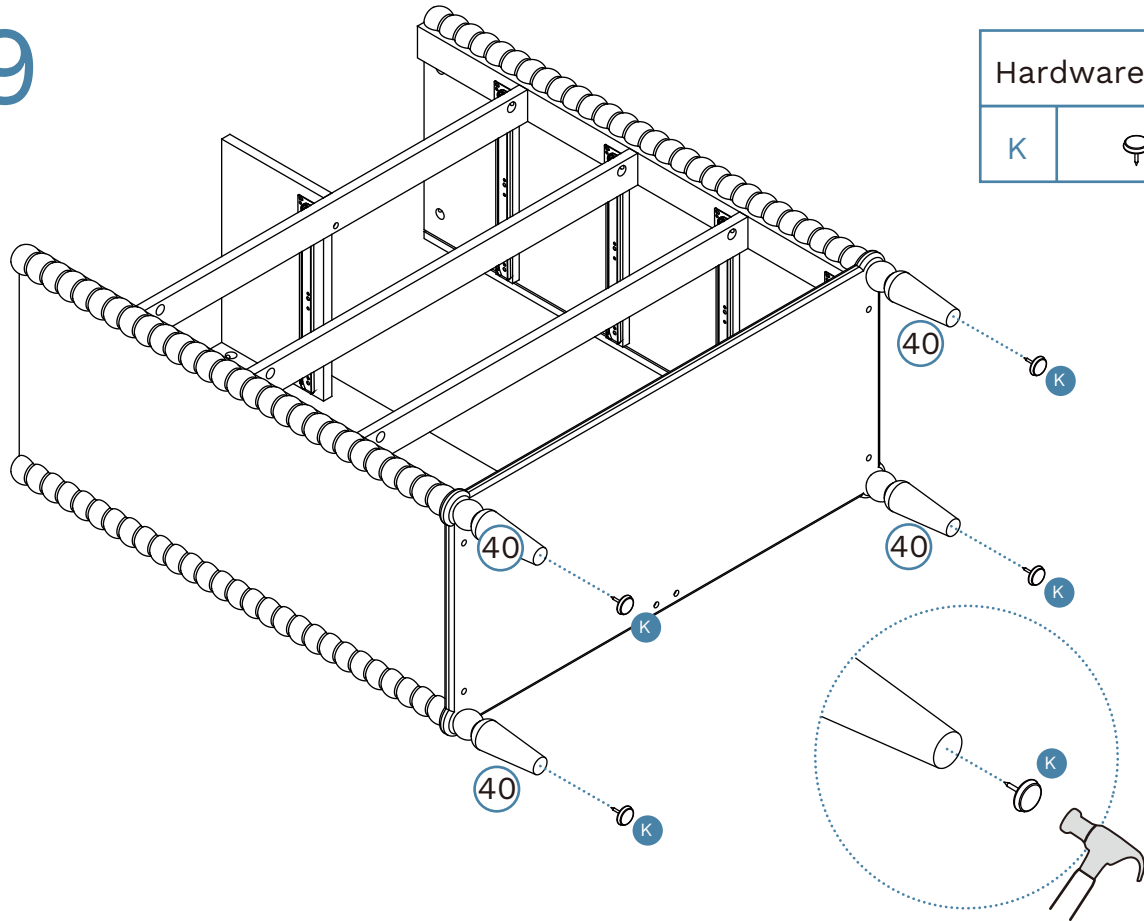
8




Betti Bobbin

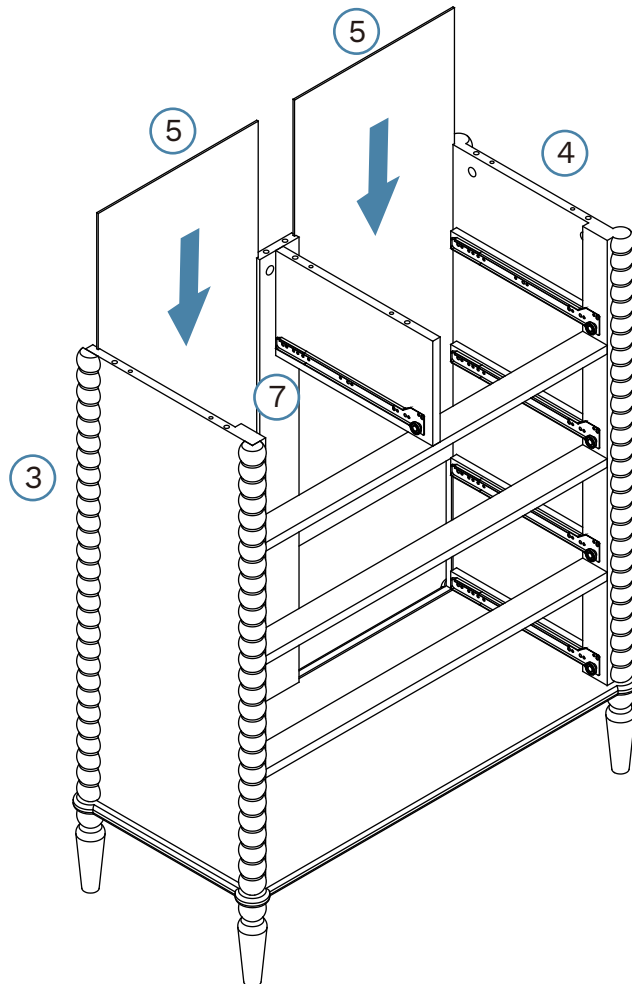
Tallboy

9



Hardware Needed		
K		x4

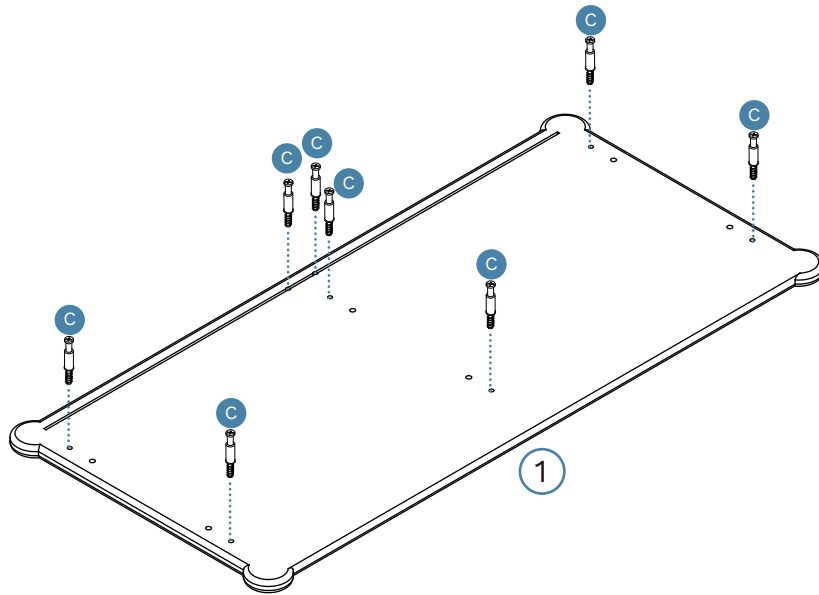
10



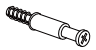
Betti Bobbin

Tallboy

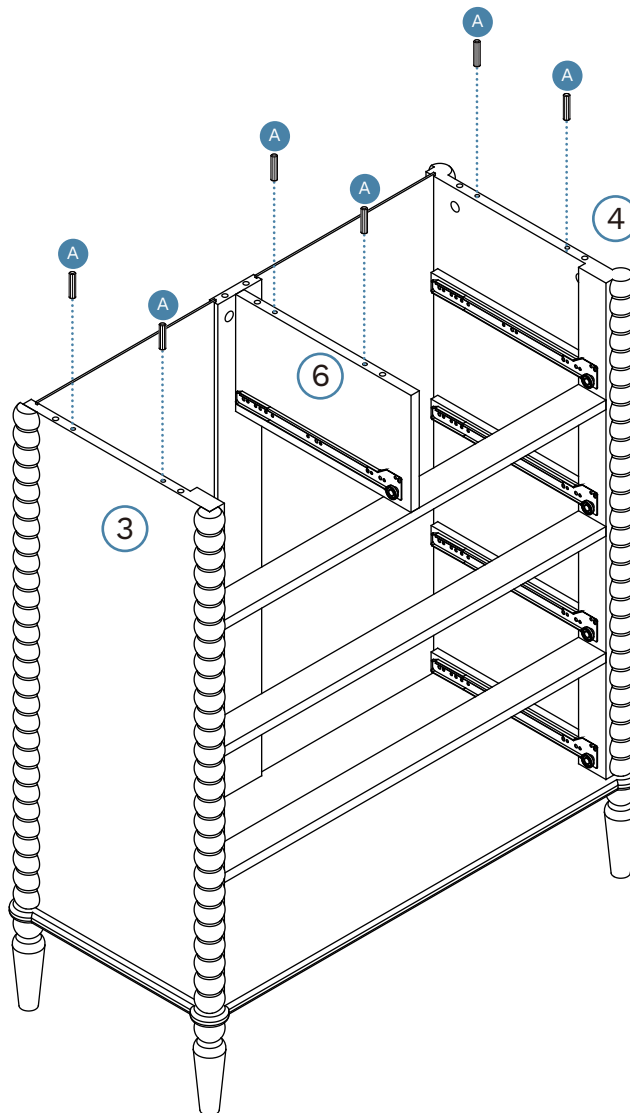
11



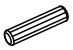
Hardware Needed

C		x8
---	---	----

12



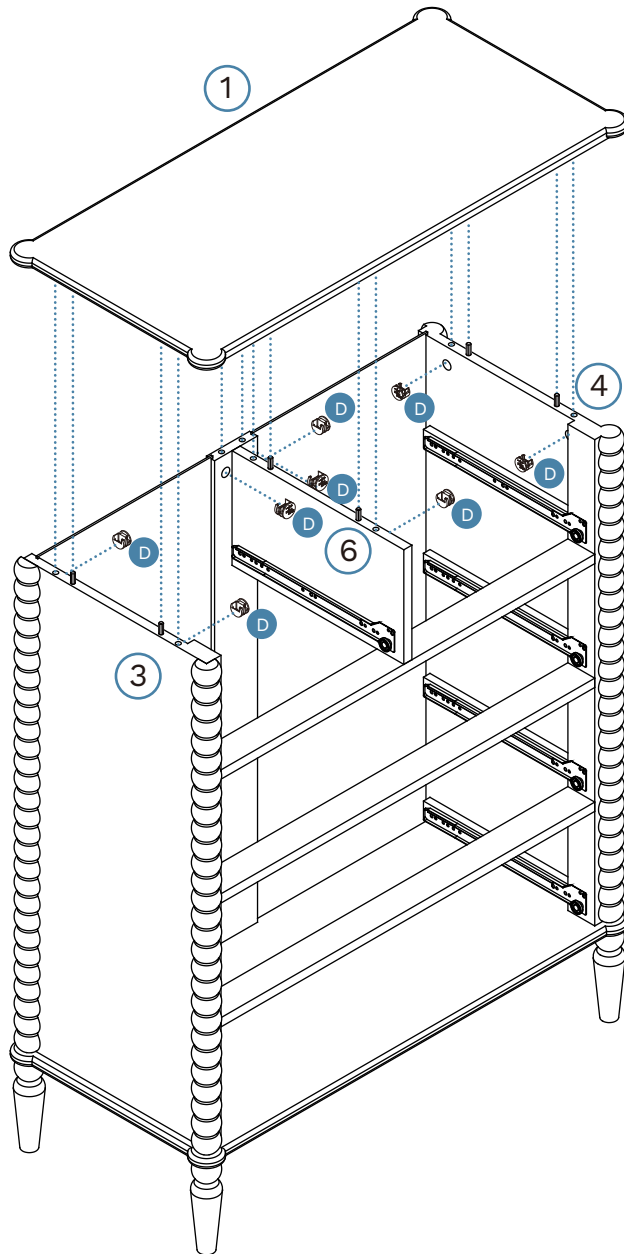
Hardware Needed


A		x6
---	---	----

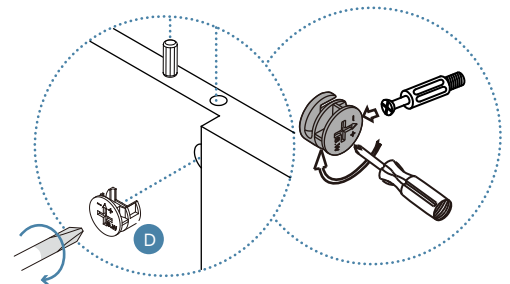
Betti Bobbin

Tallboy

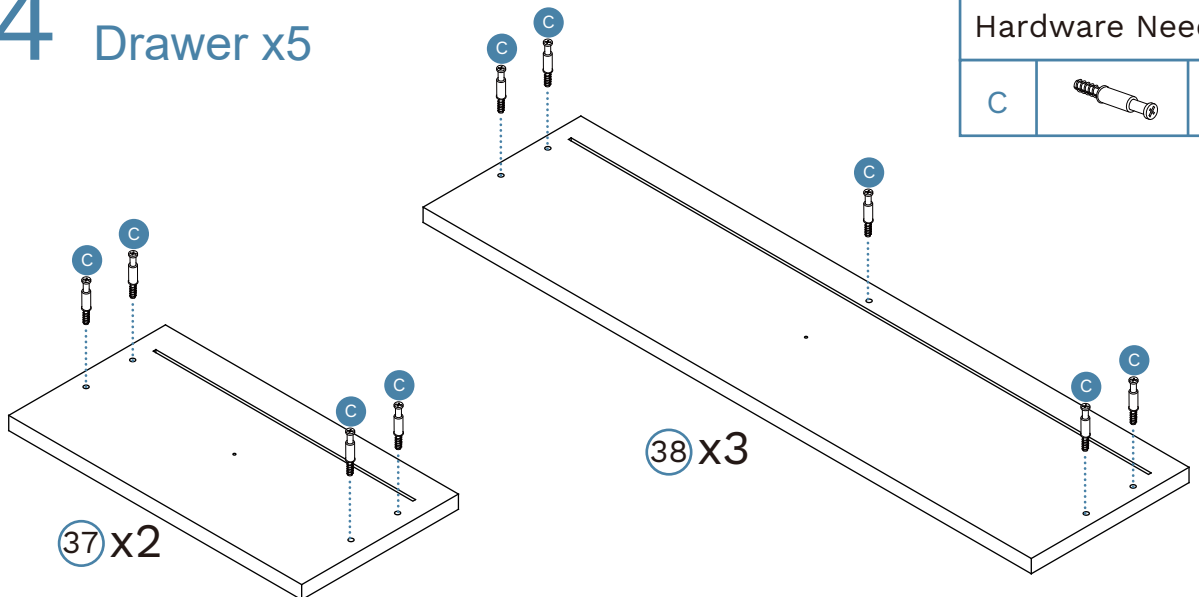
13




Hardware Needed		
D		x8



14 Drawer x5

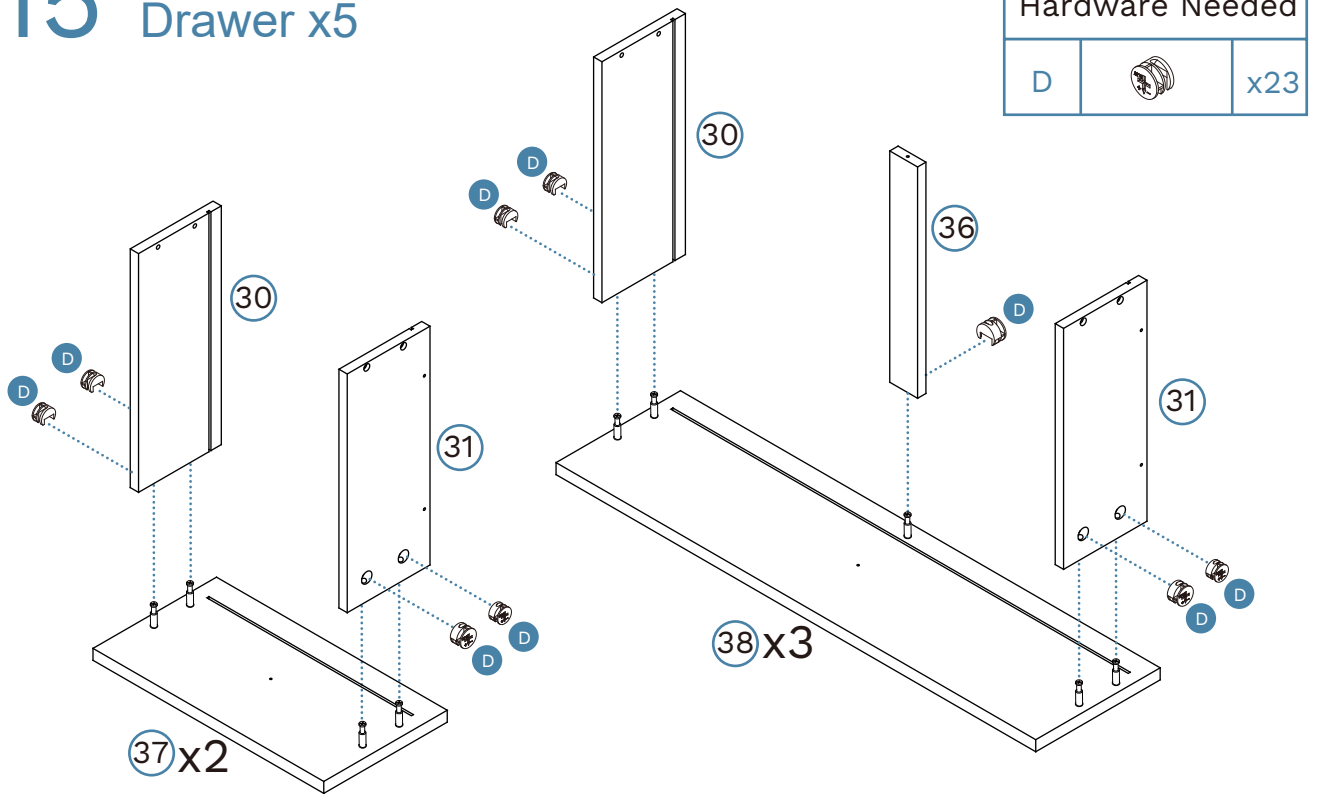


Hardware Needed		
C		x23

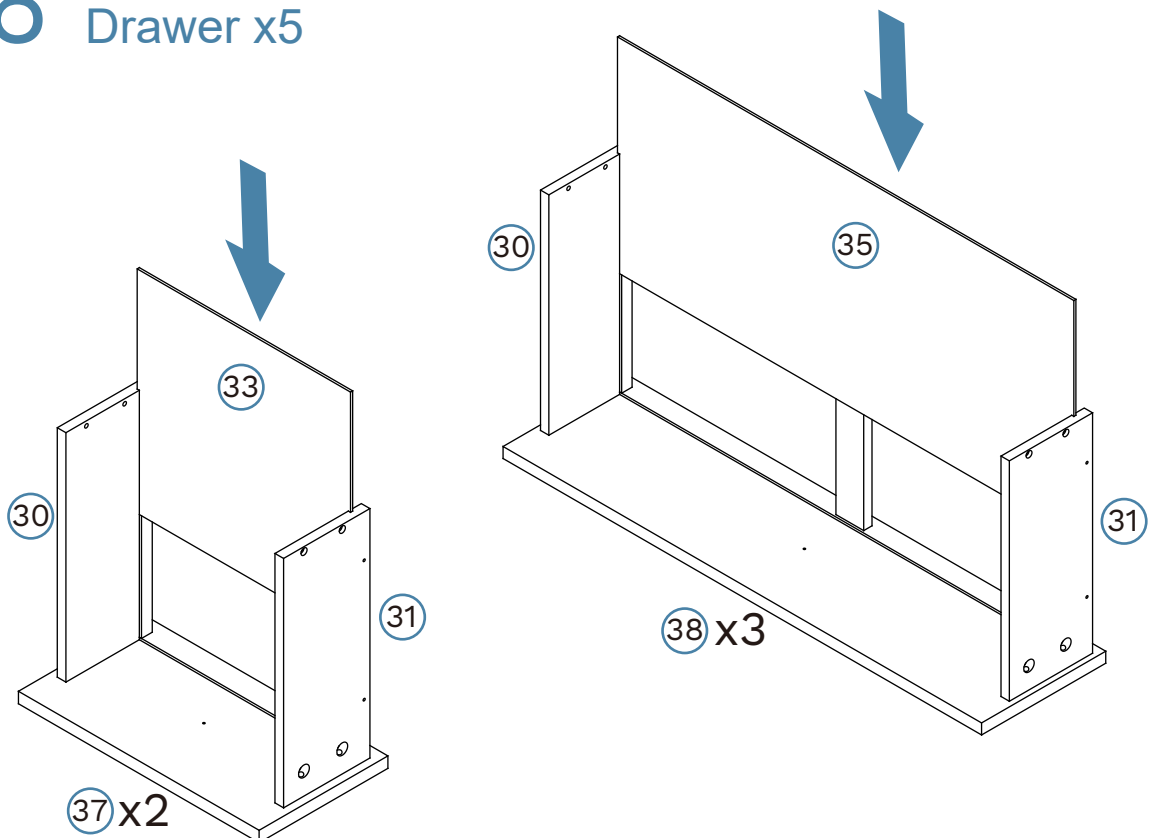
Betti Bobbin

Tallboy

15 Drawer x5



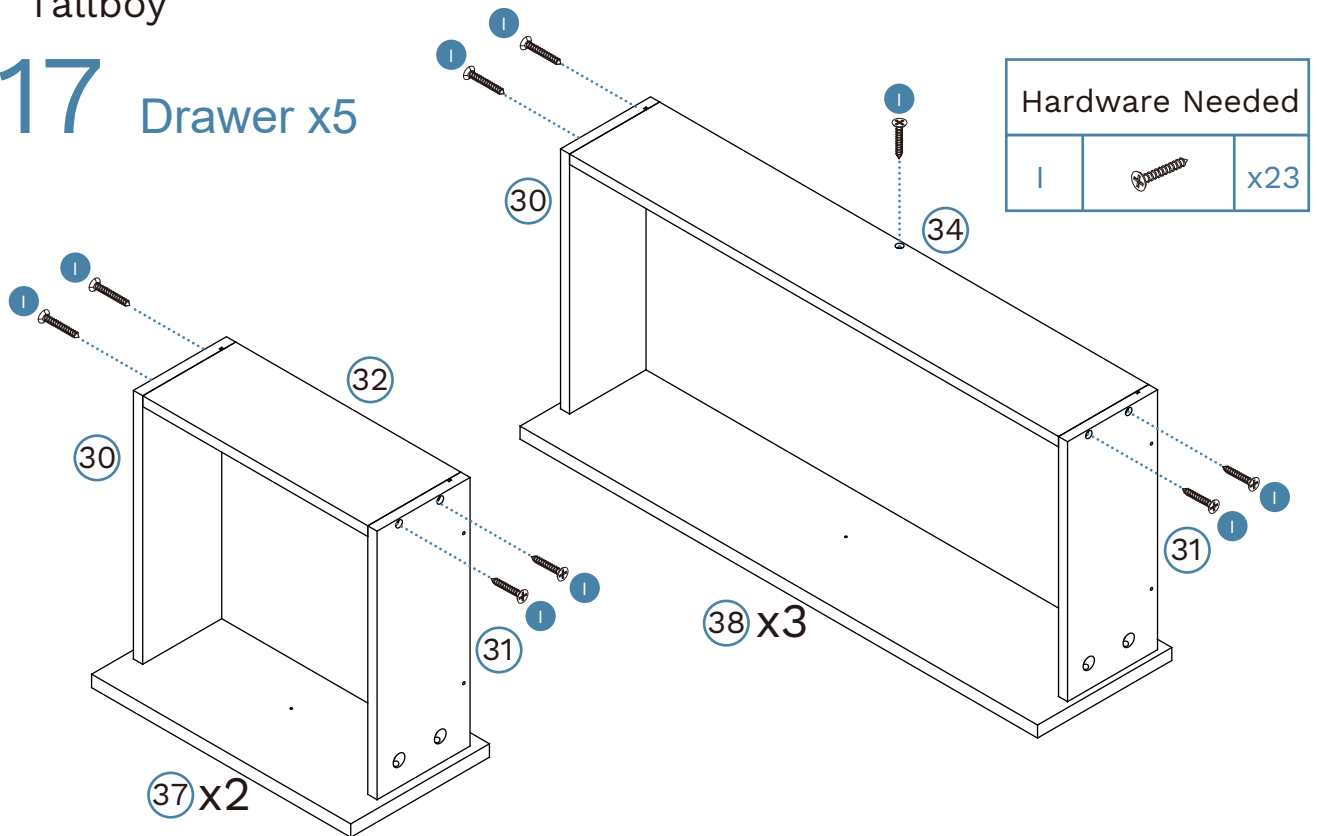
16 Drawer x5



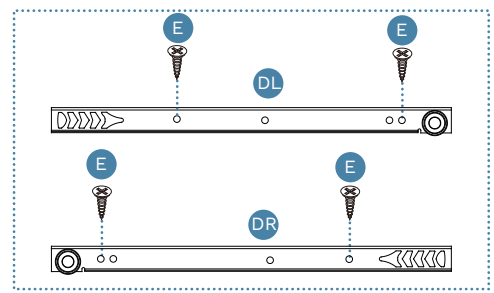
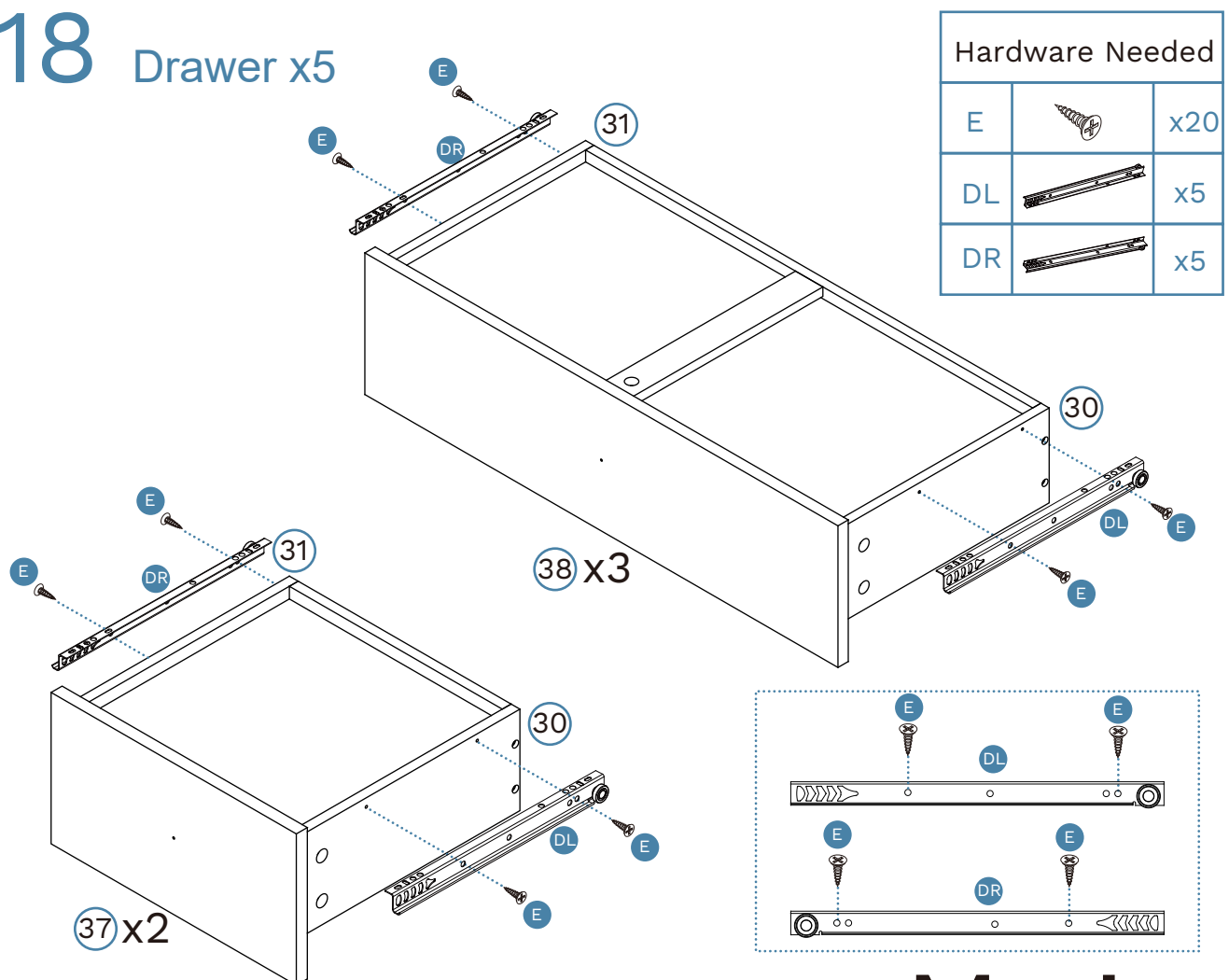
Betti Bobbin

Tallboy

17 Drawer x5



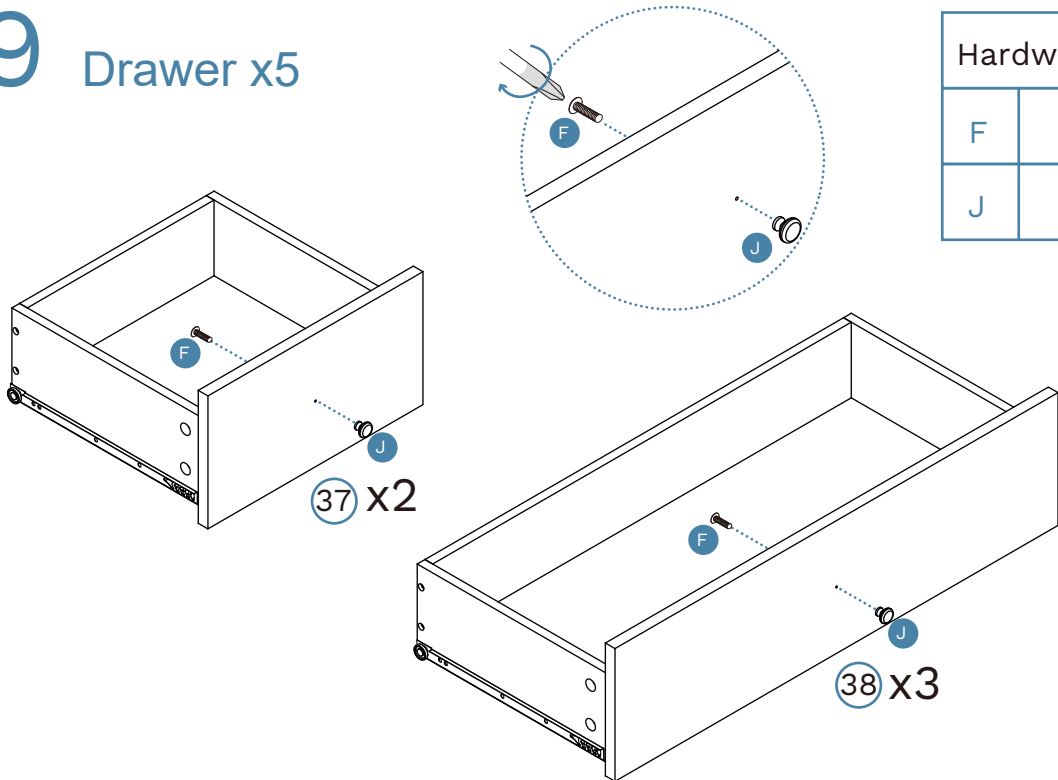
18 Drawer x5



Betti Bobbin

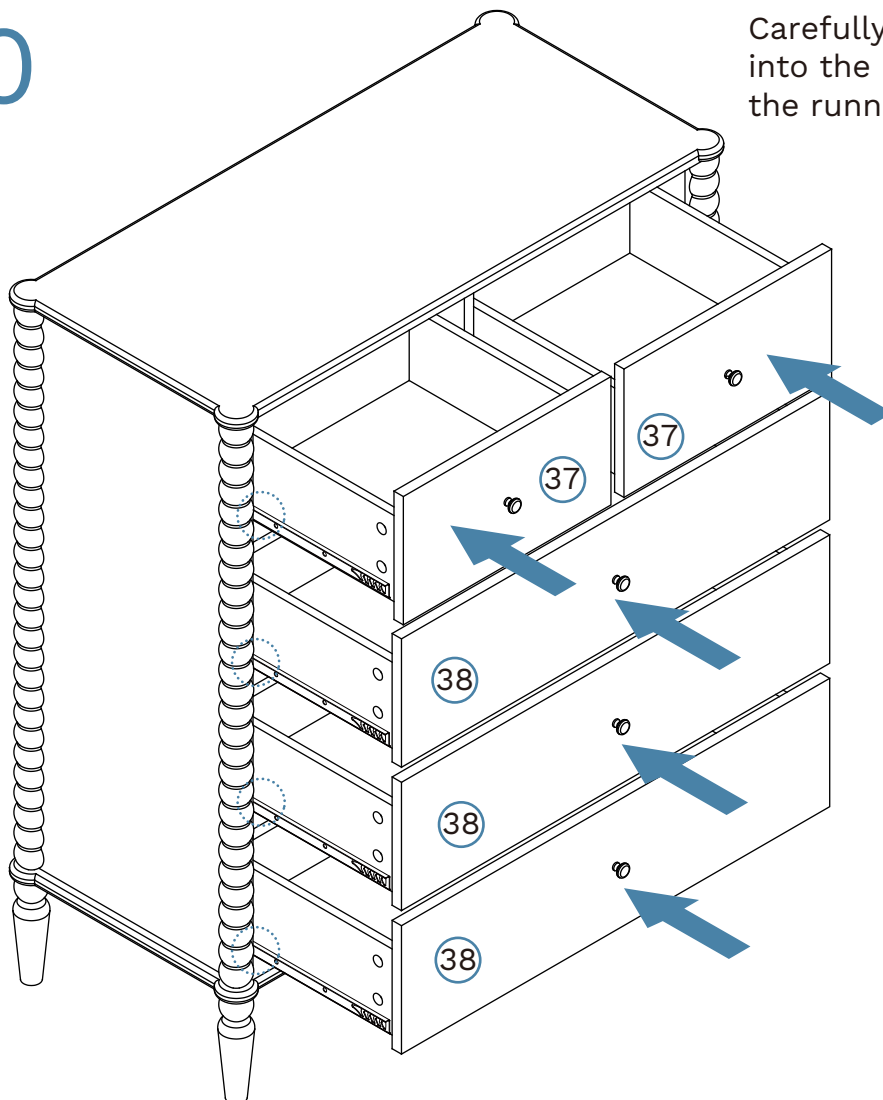
Tallboy

19 Drawer x5



20

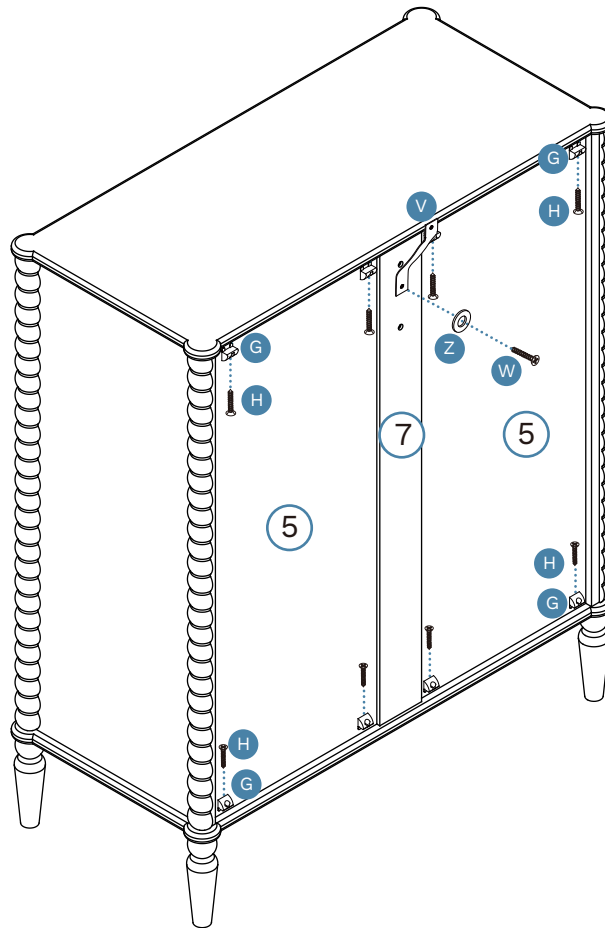
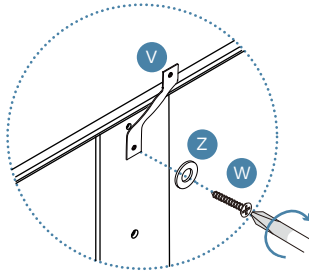
Carefully insert the drawers into the unit by gently guiding the runners into the tracks.



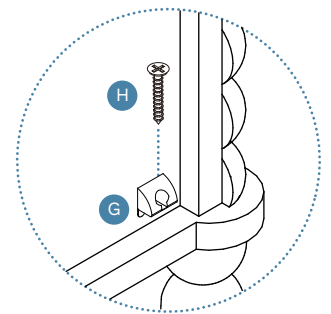
Betti Bobbin

Tallboy

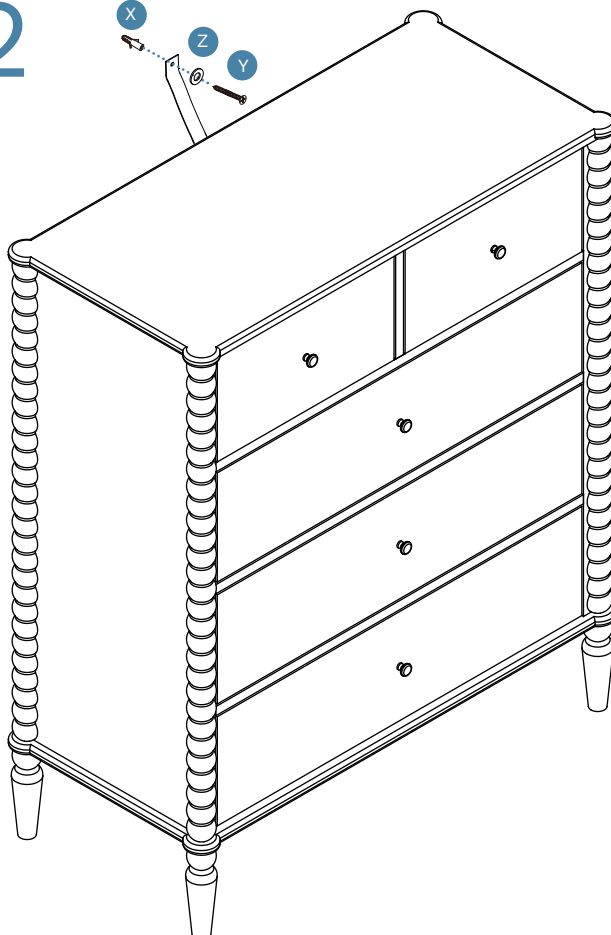
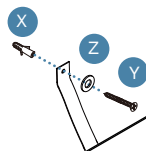
21



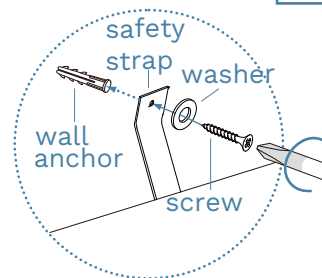
Hardware Needed		
G		x8
H		x8
V		x1
W		x1
Z		x1



22



Hardware Needed		
X		x1
Y		x1
Z		x1



Note: Seek advice from a qualified trades person on how to attach this safety strap to your specific wall.

Once assembled lift furniture into place, do not drag. You're done, enjoy!